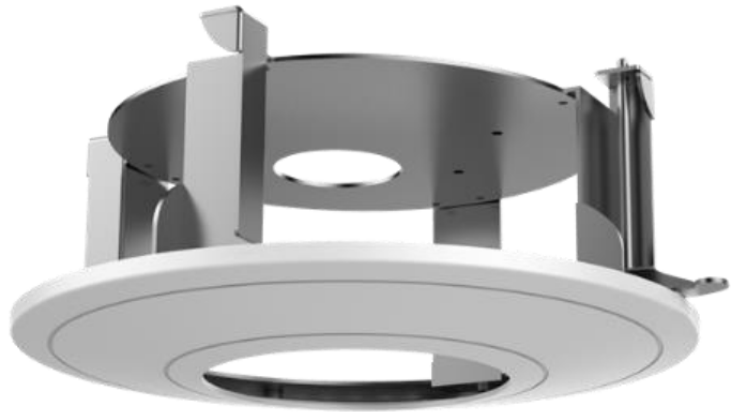


CM22

In-Ceiling mount for FD2002M1/2005M1



Technical specifications

Material	Steel and ABS
Colour	RAL 9003 (signal white)
Dimensions (H x W x D)	Ø 225 mm × 98.2 mm (8.86" × 3.87")
Weight	700 g (1.54 lb.)
Max load	3 kg (6.6 lb.)
Note	The mount should be installed on the flat ceiling The ceiling must be capable of supporting over 3 times as much as the total weight of the camera and the mount

