



TANlock

- Easy integration in existing IT-infrastructures
- Interchangeable authentication modules (TAM)
- Power supply over PoE (Power over Ethernet)
- No additional software necessary, due to the use of standards (TCP/IP, LDAP, MS Active Directory, SNMP, SysLog, Webservice)
- Configurable security through VLANs
- Remote access on TANlock
- Easy set up – no additional hardware required
- Housing made of high-quality die-cast zinc
- Elegant design
- High quality powder coating
- Compatible on right and left attached doors
- Optional IP 54/65
- HTTPS



TAM (Authentication modules)

Remote module	
	RFID 13,56 MHz Legic Mifare Desfire EV1, EV2 HID iClass Bluetooth

PIN or RFID two factor	
	PIN Modul RFID 13,56 MHz (two factor) Legic Mifare Desfire EV1, EV2 HID iClass Bluetooth



Fingerprint scanner



Infrared sensor
Touch to open
Registration data
stored on TANlock

Vein scanner



Integrated Fujitsu
PalmSecure Sensor for
hand vein scan

Capture of the
vein pattern image
by infrared light

Touch Display



Resistive TFT display
Visualization of operating
data
Individual structuring
possibilities

Integrated authentication possibilities

- Locally stored users / TANs
- LDAP (one- and two-level inquiries)

Integrated surveillance possibilities

- Connection to existing SysLog server for logging status messages
- Network management with SNMP for monitoring the locks as well as error detection and error transmission
- CAN bus connection for sensors like temperature, humidity, air pressure etc.

Expandability

- Usage of WebAPI
- Usage of RESTfulAPI

Adaptability RESTfulAPI and WebAPI

- Local user management
- Analyzing local log files
- Checking the current lock status

Local features

- Local user setup (max. 30 users per lock)
- Creation of local user logs (approx. 30,000 rotating logbook entries)
- Configuration option for activating/deactivating individual interfaces
- Firmware update via programming adapter or - if activated - RJ45 connector
- DHCP (Dynamic Host Configuration Protocol) or fixed IP assignment
- Integrated switch for IP addressing of base board and authentication module

Conditions

- Power supply over PoE injector or PoE capable switch
- Requirements for PoE Switch: IEEE 802.3af-2003 / electrically isolated, power class 0



Installation

To mount TANlock, the following stamp-outs in the cabinet door are necessary.

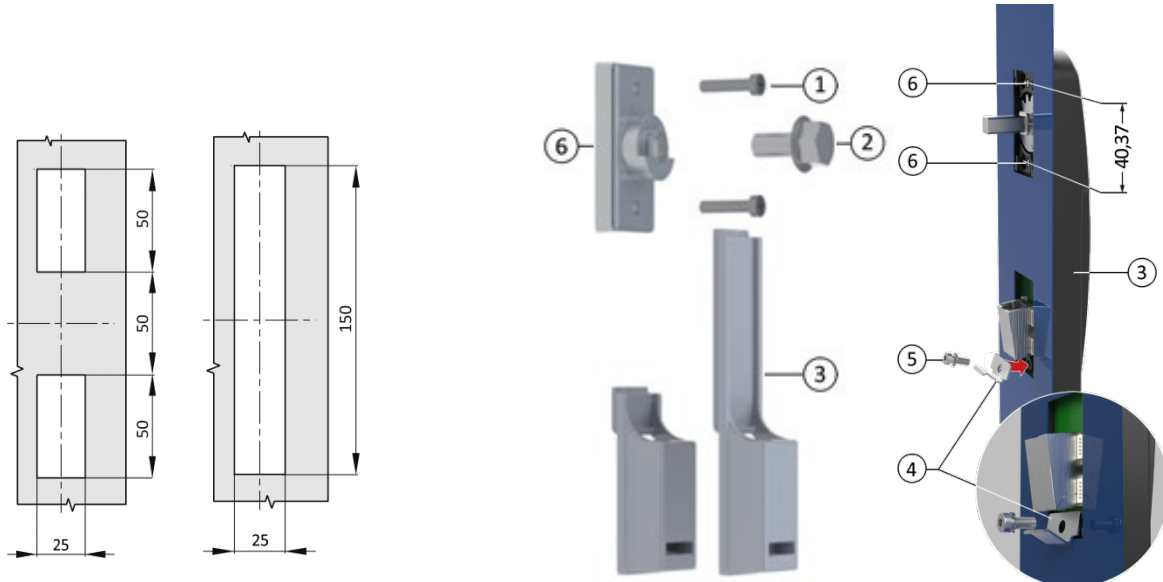


Figure 1: Stamp-outs in Cabinet door (short or long)

Figure 2: Installation and assembly of TANlock

- Pos. 1 Phillips-screw (M4x25 oder M4x18)
- Pos. 2 Fixing screw
- Pos. 3 Cap long/short
- Pos. 4 Bracket
- Pos. 5 Fixing screw for bracket
- Pos. 6 Lock housing

Kontakt:

FATH Mechatronics GmbH
Gewerbepark Hügelmühle 31
91174 Spalt

T +49(0)9175 7909-152

www.tanlock.com
info@tanlock.com