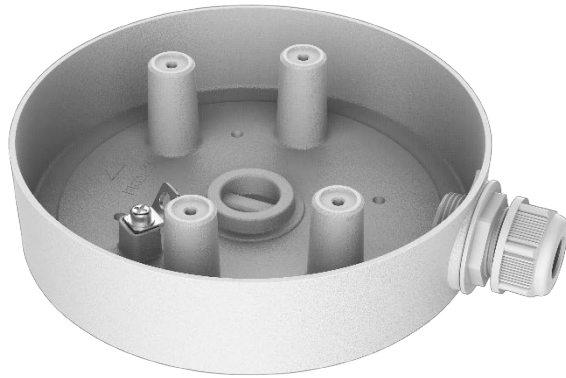


# JB02

Junction box for PD1022Z3-EI and PD1022



## Technical specifications

Material	Aluminum alloy
Colour	RAL 9003 (signal white)
Dimensions (H x W x D)	Ø158 x 40 mm (Ø6.2 x 1.6 in)
Weight	0.45 kg (1.0 lbs)

