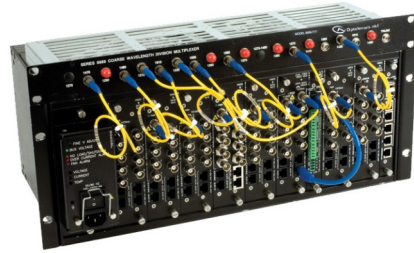


Features

- SpectraStream™ systems transport combinations of quality video, audio, and duplex data on one single-mode fiber using CWDM.
- Systems may be designed in point-to-point or in optical add/drop configurations.
- Field-proven digital video cards exceed RS-250C Medium Haul transmission specifications.
- Data, audio, contact closures, and Ethernet transport.
- High quality uncompressed digital video without latency or artefacts.



SpectraStream™

Description

The Optelecom® SpectraStream™ combines Coarse Wave Division Multiplexing (CWDM) fiber technology with Optelecom digital video multiplexer/demultiplexer cards to transmit between 4 and 128 channels of high-quality, real-time video signals (bidirectionally) over one optical fiber. The system is extremely flexible, with the ability to add bidirectional data, audio, contact closure, and 10Mbps, 100Mbps, or Gigabit Ethernet channels.

The SpectraStream™ system supports a broad range of data, audio, and contact closure options including 16-bit digital mono or stereo audio options, RS-232, RS-422, RS-485 data options, Ethernet, intercom, and contact closure options. These can be simplex or duplex and are configurable, ensuring a flexible system even if system requirements change after installation.

It is possible to add up to 256 stereo audio channels operating in the same direction as the video or 128 stereo audio and 128 duplex data or contact closure channels. Adding the additional data and audio channels does not reduce the video resolution or channel count.

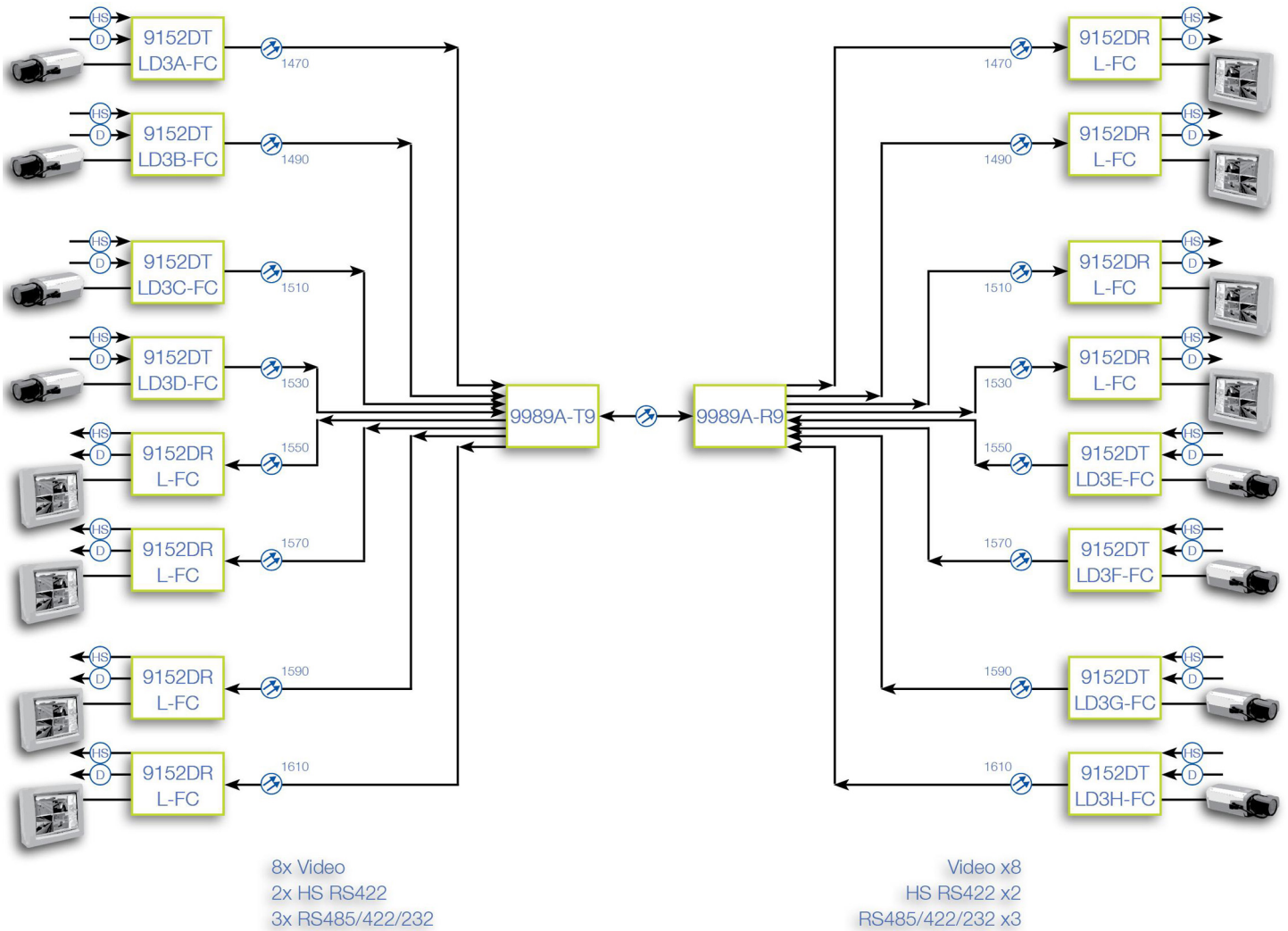
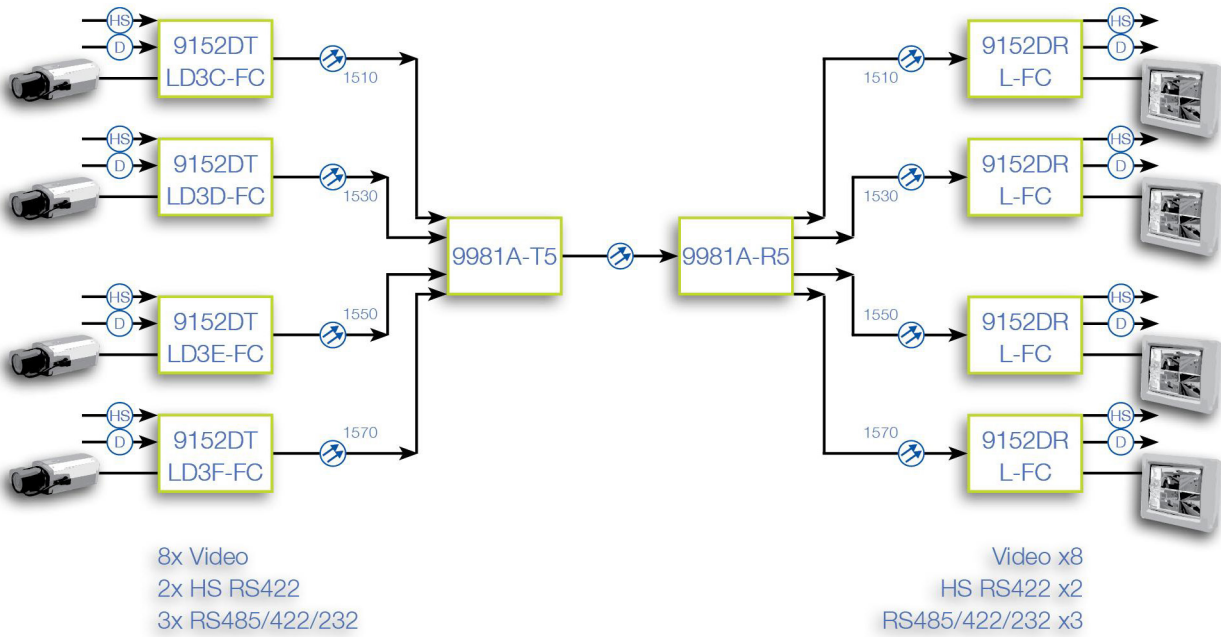
Please contact TKH Security Solutions for additional assistance in designing a system to meet your requirements.



optelecom

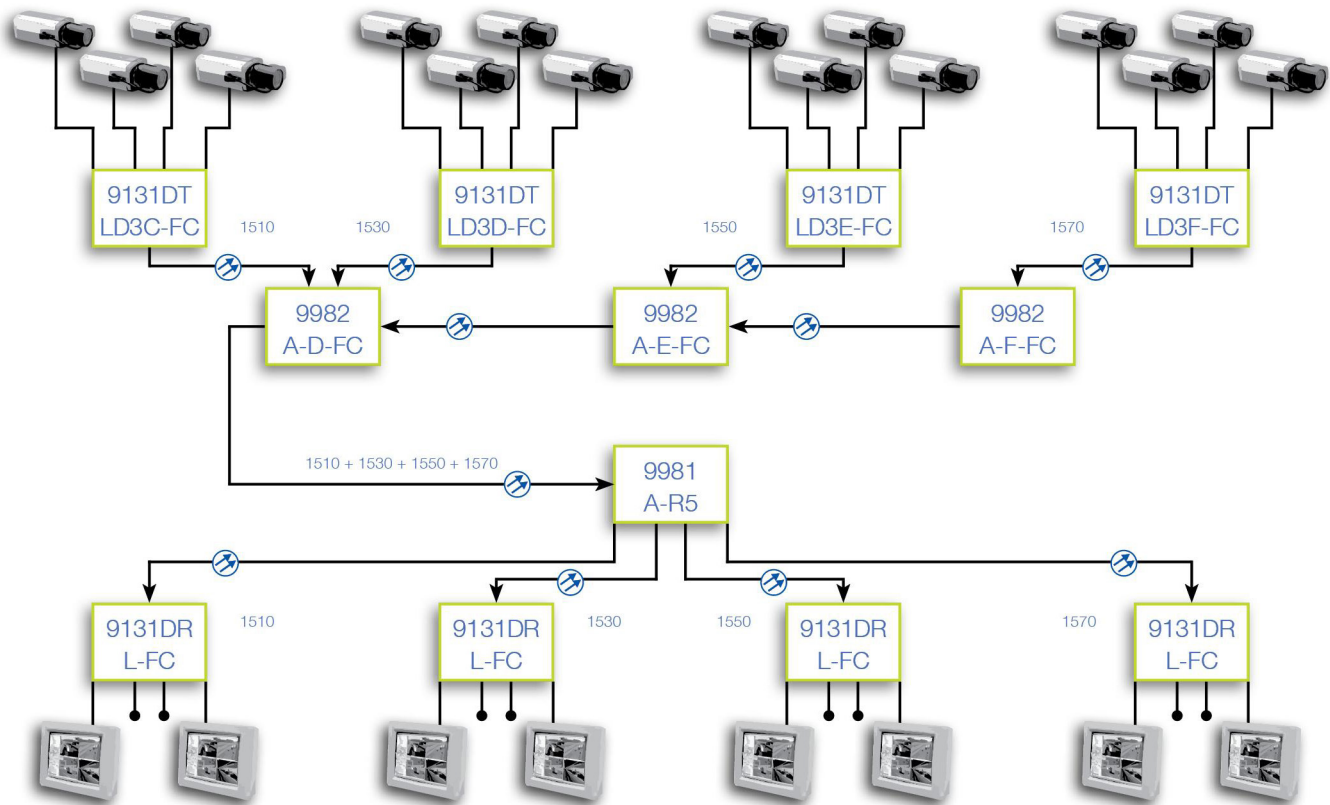
Technical Specifications

SpectraStream™



Technical Specifications

SpectraStream™



Video (per channel)

Video format	NTSC, PAL
Video input	1Vpp into 75Ω
Connector type	BNC
Bandwidth	5Hz to 6.5MHz (-3dB)
Differential gain	≤0.7%
Differential phase	≤0.7°
Signal-to-noise ratio	≥63dBw
Video encoding	Uncompressed 9-/10-bit linear PCM
Video sampling rate	16MHz

Data ports

Data port	Simplex RS-485/ RS-422, simplex RS-232
RS-485 Ports	Simplex RS-485
High-speed port	Simplex

Technical Specifications

SpectraStream™

Option Module

Number of free channels	2 x duplex
A Module	1 x audio
B Module	1 x user-configurable data (RS-232, RS-422, RS-485)
C Module	1 x contact closure
D or E Module	2 x audio (simplex only)
GM or GR Module	2 x intercom audio

For more information on Option Modules, refer to the Option Modules data sheet or contact TKH Security Solutions.

Optical

Optical	CWDM
---------	------

Management

Management system	9900 Network Management System (NMS)
-------------------	--------------------------------------

Environmental

Operating temperature	-40°C to +74°C (-40°F to +165°F)
Storage temperature	-55°C to +85°C (-67°F to +185°F)
Relative humidity	<95% with no condensation

Powering

Power requirements	All systems operate from 100-240VAC 50/60Hz
--------------------	---

9002 Chassis Dimensions — 19" rack-mount chassis

Dimensions (h x w x d)	177.8 x 442.6 x 203.2mm (7 x 17.4 x 8in)
Weight (empty)	2721.5g (6.0lbs)

CWDM — 1RU high 19" rack-mount chassis

Dimensions (h x w x d)	44.45 x 482.6 x 149.09mm (1.75 x 19.0 x 5.87in.)
Weight (empty)	907.18g (2.0lbs.)

Ordering Information

Models	Description
SpectraStream™	Contact TKH Security Solutions for a system design



The quality management system utilized in the development, production, sales, and support of this product is ISO 9001:2008 certified by LRQA.

© Siqua B.V. - January 2013 Version 1.0 - Subject to modification.

