

Features

- Managed 8 + 2-port Ethernet switch
- 8 x 10/100Base-TX and 2x 1000Base-FX SFP slots
- Non-blocking store-and-forward switching
- Password-protected web interface
- IGMP multicast and Rapid Spanning Tree
- VLAN tagging (802.1Q)



XSNet™ C4108SW

8+2-Port field-hardened Gigabit Ethernet switch

Description

The Siquira® XSNet™ C4108SW switch plays a crucial role in the reliable transport of IP streams. It comprises 8 10/100Base-TX ports and two SFP slots. The C4108SW is field-hardened.

Reliable operation

The XSNet™ C4108SW provides exceptional performance under severe conditions. For example, performance is not hindered by mechanical stress (vibration and shock) or extreme temperatures. This robust nature provides an ideal solution for critical infrastructure and traffic applications.

This compact switch offers Rapid Spanning Tree to ensure prompt switchover times and to secure reliable transport of video, audio, and data streams. The XSNet™ C4108SW utilises IGMP for reliable transport of multicast data. Quality of Service is addressed via QoS (IEEE 802.1p) and tagged VLANs (802.1Q), crucial functions for reliable real-time services.

Additionally, the switch includes redundant power inputs with a configurable alarm contact to guarantee reliable performance.

Configuration

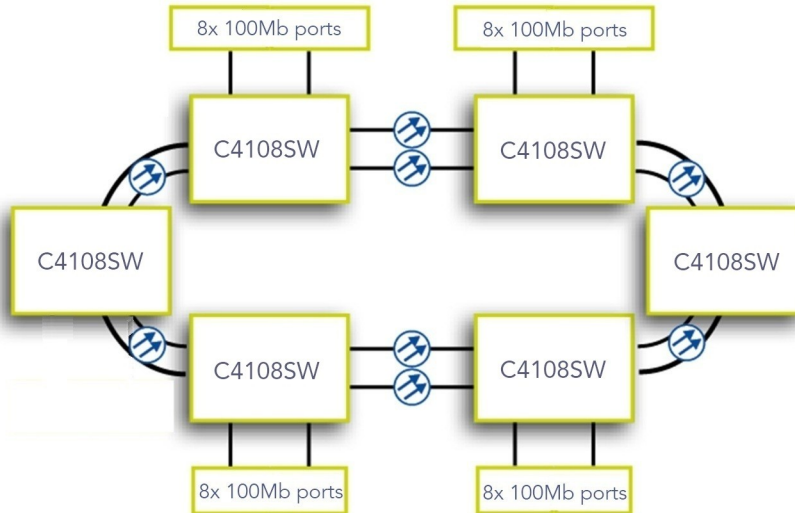
The XSNet™ C4108SW switch offers 8 independent 10/100Base-TX ports, featuring autonegotiation and auto-MDI/MDIX. With two pluggable 1000Base-FX SFP slots, this switch can connect to any network infrastructure. Configuration and management are straightforward with the built-in web interface and SNMP agent.

Mounting

This Siquira® XSNet™ switch comes as a DIN rail mount standalone module.

Technical Specifications

XSNet™ C4108SW



Performance

| | |
|------------------------|--|
| Address table size | 8192 addresses |
| Switching fabric | Non-blocking |
| Switching method | Store-and-forward |
| Forward/Filtering Rate | 14,880pps for 10Mbps, 148,810pps for 100Mbps |

Electrical

| | |
|------------------|------------------|
| Interface(s) | 8x 10/100Base-TX |
| Connector type | 8x RJ-45 |
| Maximum distance | 100m |

Optical

| | |
|-------------------|---|
| Interface(s) | 2x 1000Base-FX |
| Type of interface | Empty SFP slot (see XSNet SFP data sheet) |

Standards

| | |
|-------------|-----------------------------------|
| IEEE 802.3 | 10Base-T specification |
| IEEE 802.3u | 100Base-TX |
| IEEE 802.3x | Full-duplex operation |
| IEEE 802.3z | 1000Base-FX |
| IEEE 802.1p | QoS |
| IEEE 802.1Q | Tagged VLAN |
| IEEE 802.1w | Rapid Spanning Tree Protocol |
| IEEE 802.1x | Port-based Network Access Control |

Technical Specifications

XSNet™ C4108SW

Management

| | |
|-----------------------|---|
| Multicast | IGMP snooping (v1, v2, v3) |
| Management agent | SNMP (RMON - Remote Monitoring, v1, v2c, v3) |
| Port Mirroring | TX/RX and both |
| LED status indicators | |
| DC | Power indication: power 1, power 2, power 3 |
| Per electrical port | Link, activity, speed |
| Management protocols | |
| Out-of-band | Command line interface in RS-232 console, DB9 connector |
| In-band | SNMP (v1, v2c, v3), HTTP (password protected), HTTPS, TFTP Radius, TACACS+ |

Powering

| | |
|---------------------|--|
| Power consumption | 11W maximum |
| Power connector | Redundant terminal block with configurable alarm contact |
| Input voltage range | 12 to 48VDC |

Environmental

| | |
|-----------------------|---|
| Operating temperature | -40°C to +75°C (-40°F to +167°F) |
| Storage temperature | -40°C to +85°C (-40°F to +185°F) |
| Relative humidity | 5% to 95% with no condensation |
| Safety and EMC | NEMA TS2 traffic control equipment, EM 50121-4 railway, UL 508, IEC/EN 61000; IEC/EN 55022, FCC part 15 |

Mechanical

| | |
|------------------------|--------------------------------------|
| Dimensions (h x w x d) | 145 x 60 x 125mm (5.7 x 2.4 x 4.9in) |
| Weight | 1.1kg (2.42lbs) |
| Housing | DIN rail mounting |

Ordering information

| Models | Description |
|----------------|---|
| XSNet™ C4108SW | Managed 8-port field-hardened switch with two 1Gb up-link SFP slots |



The quality management system utilized in the development, production, sales, and support of this product is ISO 9001:2008 certified by LRQA.

© Siqura B.V. - January 2013 Version 1.2 - Subject to modification.

